

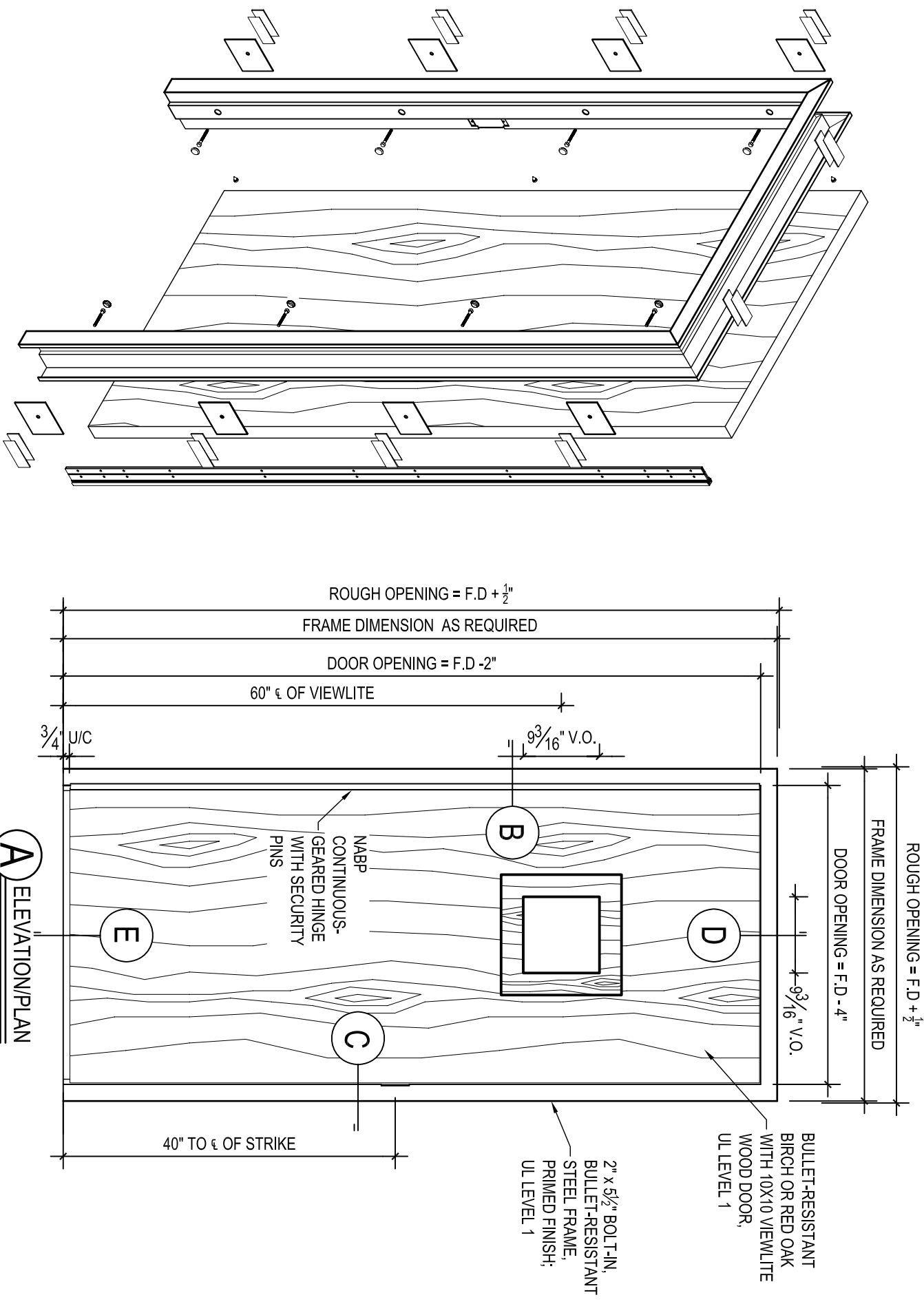
ALL RIGHTS RESERVED.

THIS DRAWING IS THE PROPERTY OF NORTH AMERICAN BULLET PROOF AND SHALL NOT BE REPRODUCED IN WHOLE OR PART. IT SHALL NOT BE USED FOR CONSTRUCTION OF OTHER THAN THE SPECIFIED PROJECT WITHOUT WRITTEN PERMISSION OF NORTH AMERICAN BULLET PROOF.

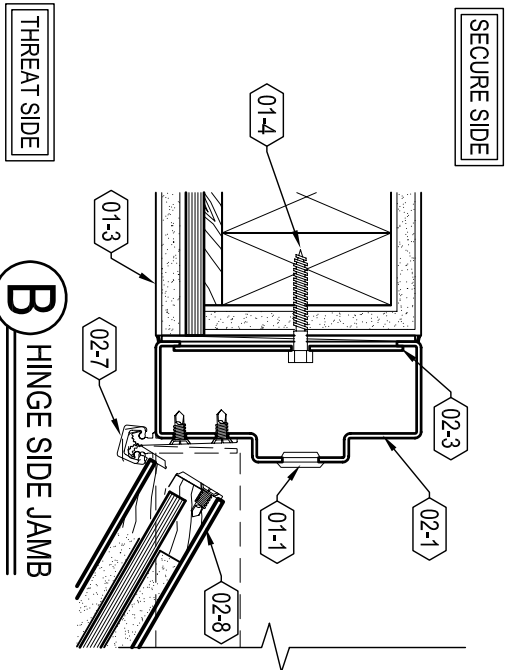
COMMENTS:

KEYNOTES:

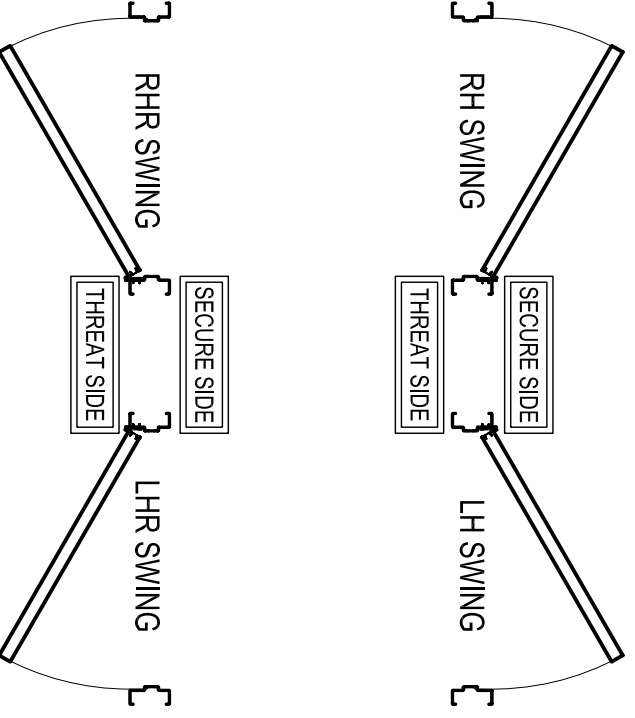
- ◊02-1 2" x 5-1/2" BOLT-IN DOORFRAME: 12 GA. STEEL, PRIMED FINISH; UL LEVEL 1
- ◊02-3 4-3/4" x 4" ANCHOR PLATE: 12 GA. STEEL, PRIMED FINISH
- ◊02-7 CONTINUOUS -GEAR HINGE WITH SECURITY PINS
- ◊02-8 BULLET-RESISTANT UNFINISHED BIRCH OR RED OAK VENEERED WOOD DOOR WITH 10" X 10" VIEWLITE
- ◊01-1 DECORATIVE ANCHOR-HOLE PLUG
- ◊01-3 TYPICAL WALL CONSTRUCTION (BY OTHERS)
- ◊01-4 ANCHOR, AS REQUIRED (BY OTHERS)



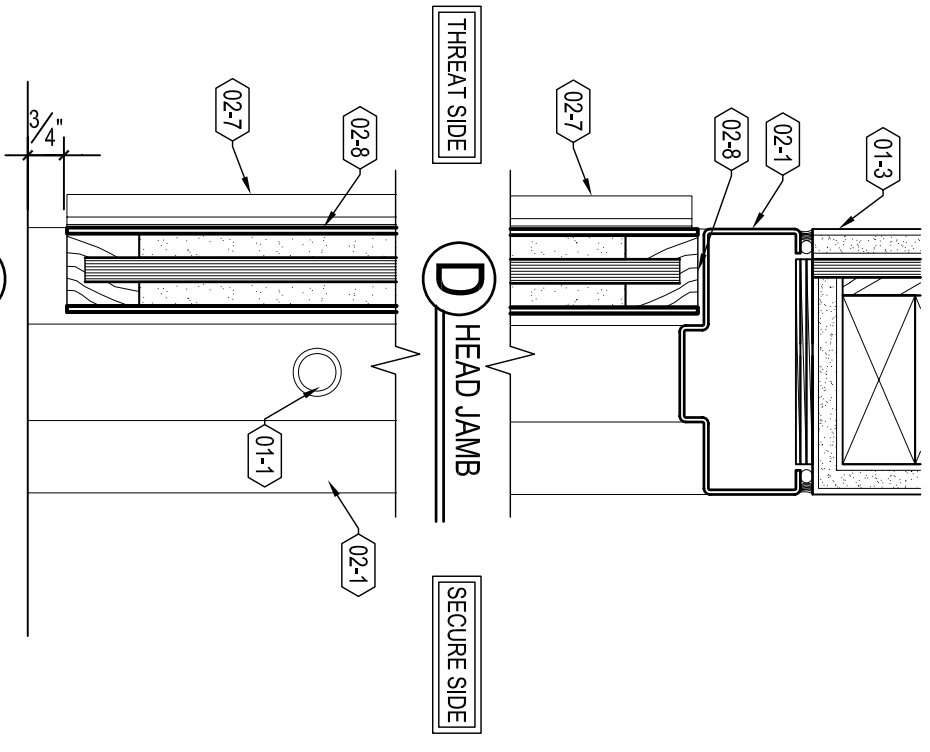
A ELEVATION/PLAN



B HINGE SIDE JAMB

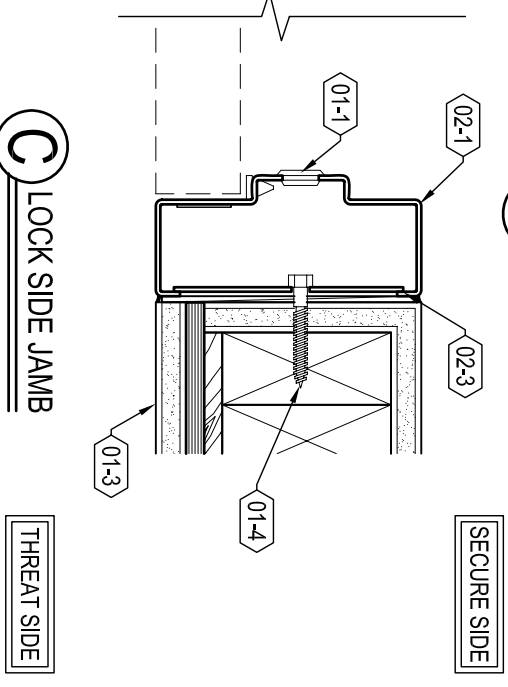


A ELEVATION/PLAN



D HEAD JAMB

E SILL



C LOCK SIDE JAMB

WDR1-VL-P-BF