

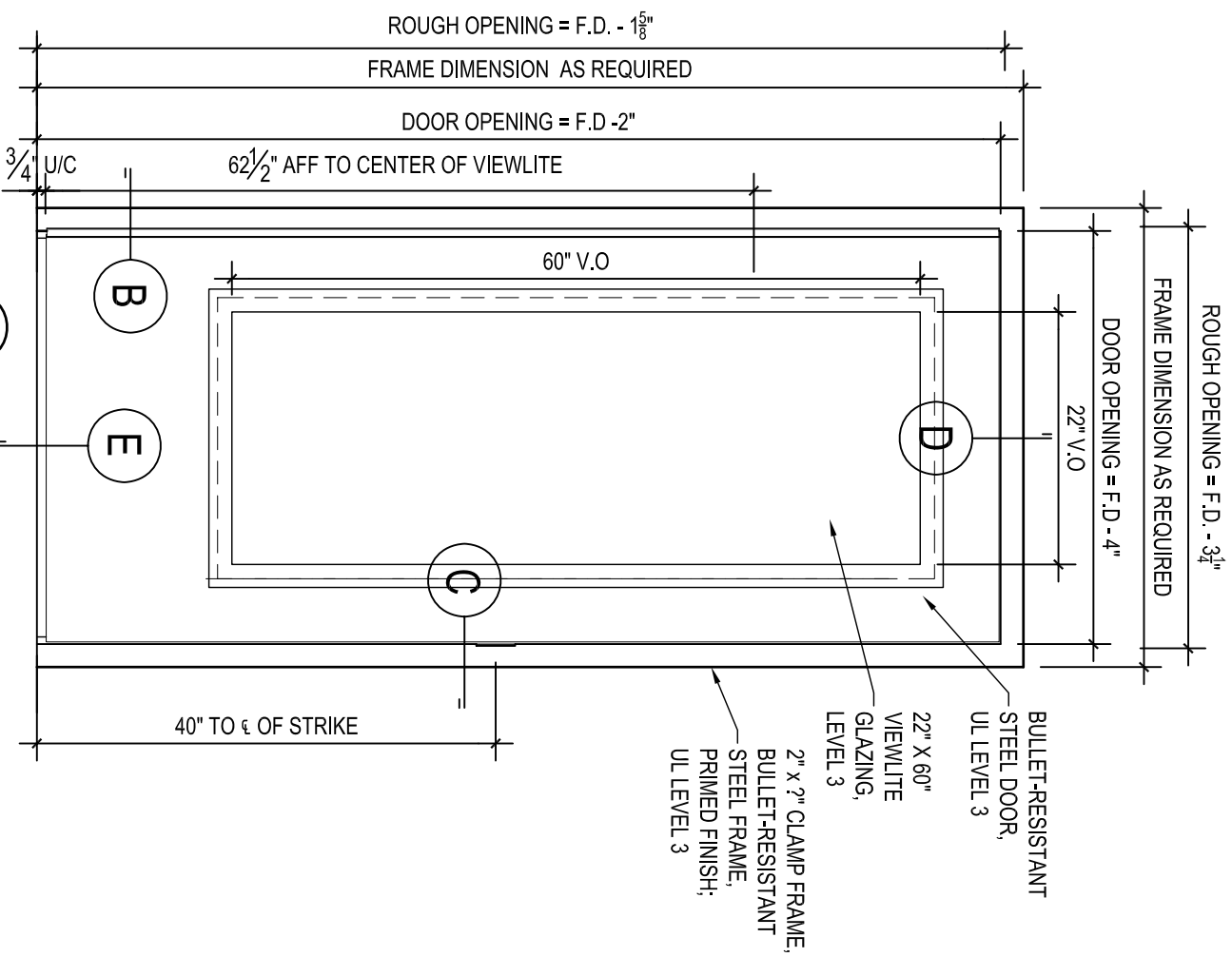
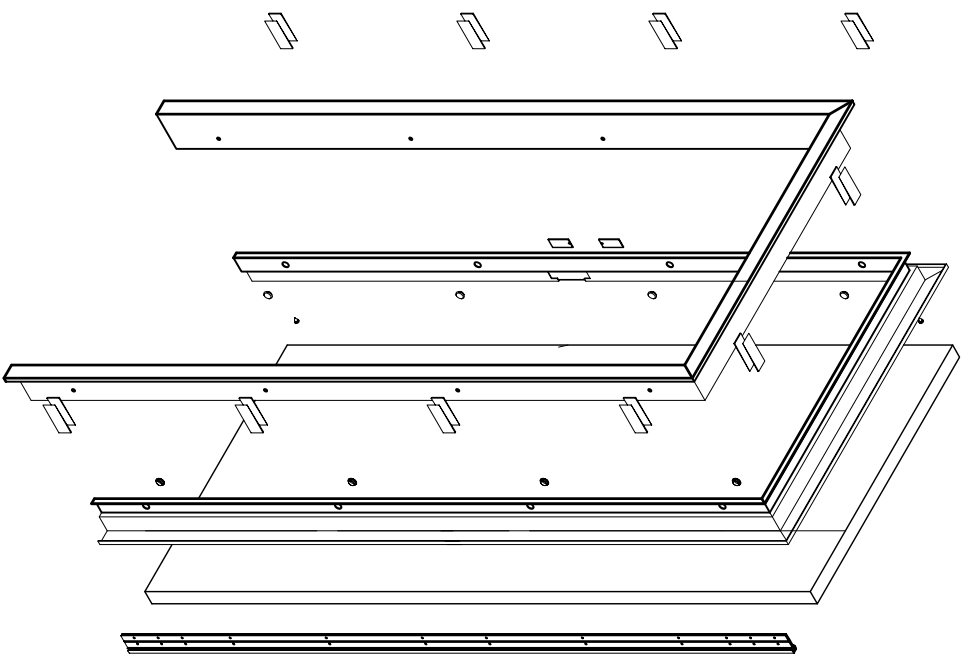
ALL RIGHTS RESERVED:

THIS DRAWING IS THE PROPERTY OF NORTH AMERICAN BULLET PROOF AND SHALL NOT BE REPRODUCED IN WHOLE OR PART. IT SHALL NOT BE USED FOR CONSTRUCTION OF OTHER THAN THE SPECIFIED PROJECT WITHOUT WRITTEN PERMISSION OF NORTH AMERICAN BULLET PROOF.

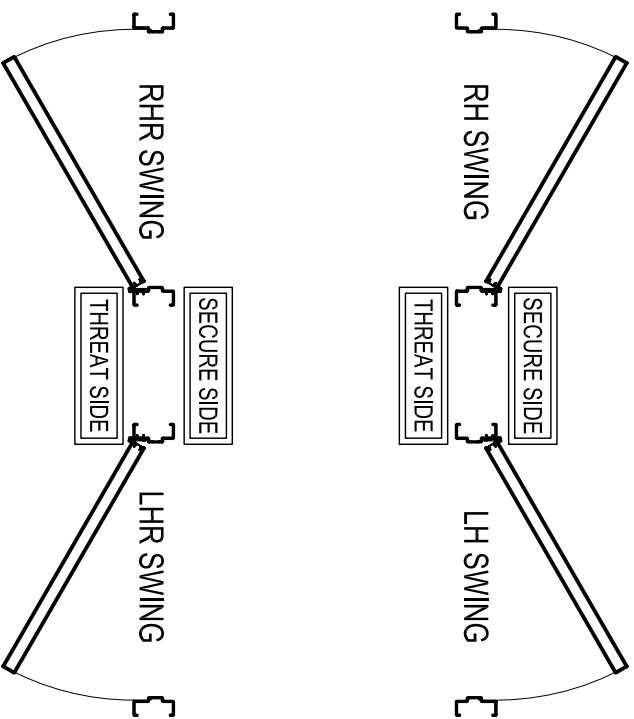
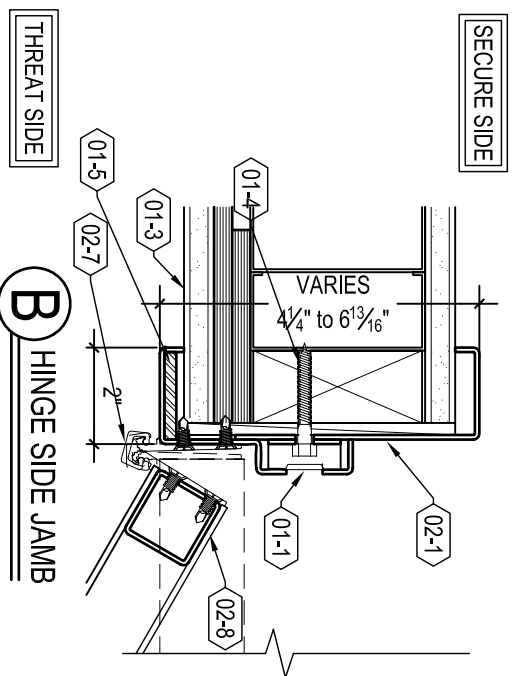
COMMENTS:

**KEYNOTES:**

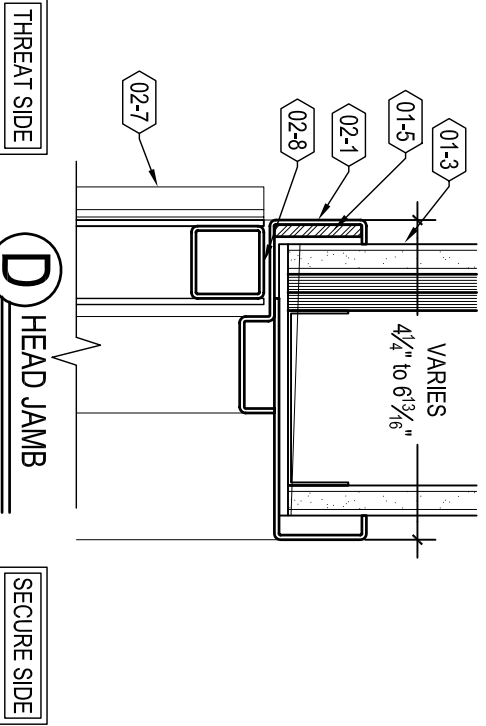
- ◊02-1 2" x 2" CLAMP DOORFRAME: 12 GA. STEEL, PRIMED FINISH; UL LEVEL 3
- ◊02-7 CONTINUOUS -GEAR HINGE WITH SECURITY PINS
- ◊02-8 PRIMED FINISH STEEL DOOR WITH 22X60 VIEWLITE, UL LEVEL 3
- ◊01-1 DECORATIVE ANCHOR-HOLE PLUG
- ◊01-3 TYPICAL WALL CONSTRUCTION (BY OTHERS)
- ◊01-4 ANCHOR, AS REQUIRED (BY OTHERS)
- ◊01-5 BULLET RESISTANT ARMOR, UL LEVEL 3 (WHERE REQUIRED)



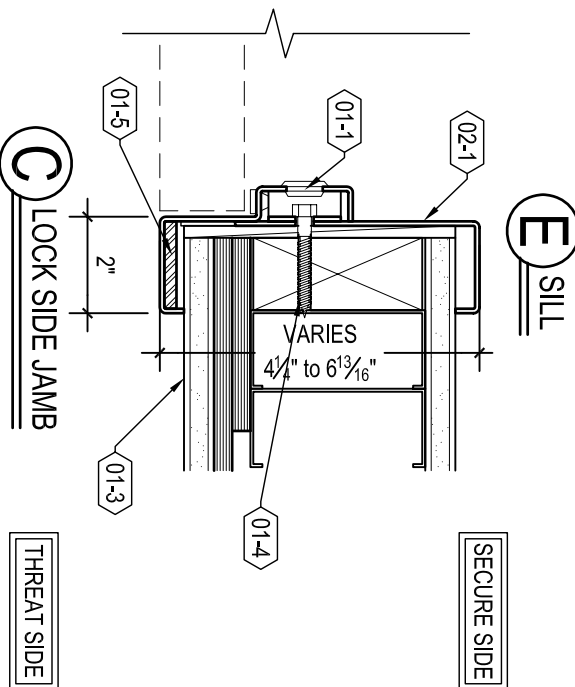
**A** ELEVATION/PLAN



**A** ELEVATION/PLAN



**D** HEAD JAMB



**E** SILL

**C** LOCK SIDE JAMB