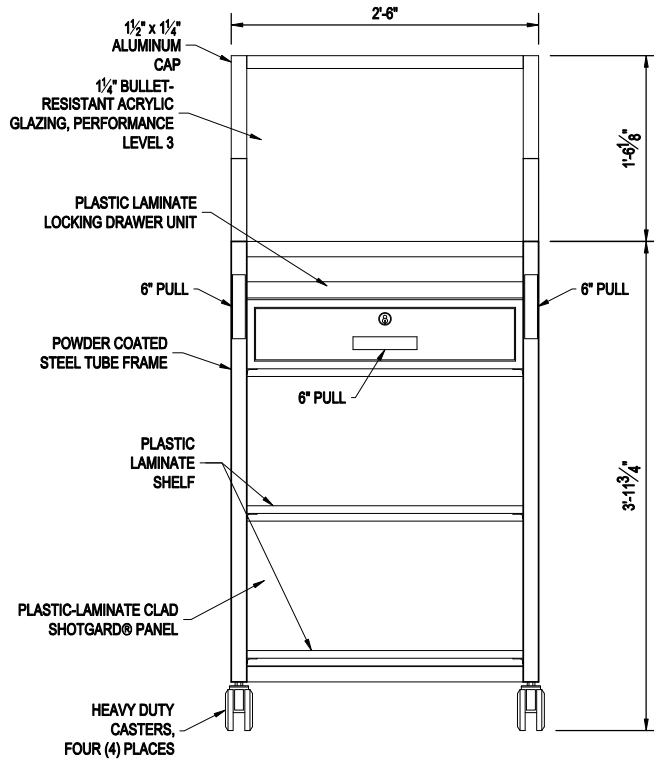


**NOTES:**

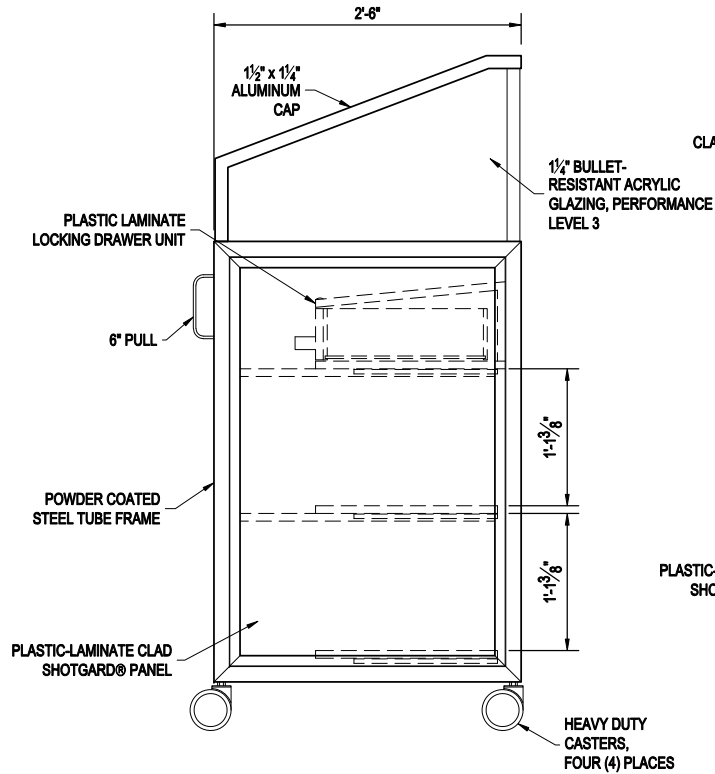
1. U.L. 752 UL LEVEL 3

2. PLASTIC LAMINATE COLOR SELECTION, STANDARD: WILSONART #7040A-60, FIGURED MAHOGANY

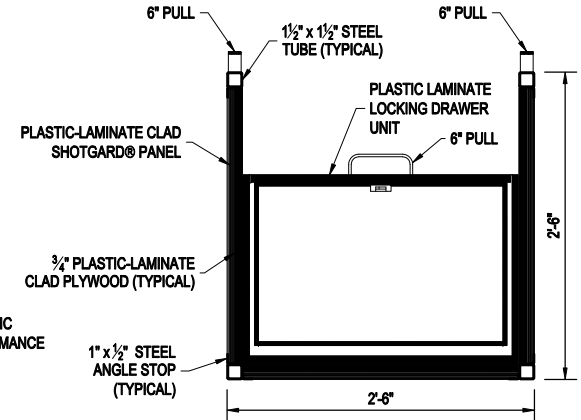
3. POWDER COAT COLOR SELECTION, STANDARD: RAL8048



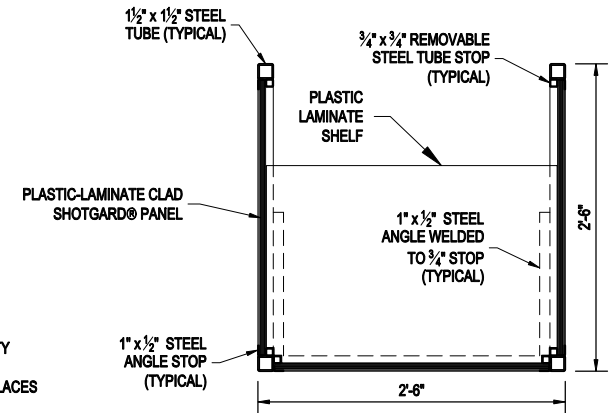
**A** ELEVATION - SECURE SIDE



**B** ELEVATION - SIDE VIEW



**D** SECTION @ DRAWER



**C** SECTION @ SHELF

**30" x 30" MOBILE BALLISTIC PODIUM**

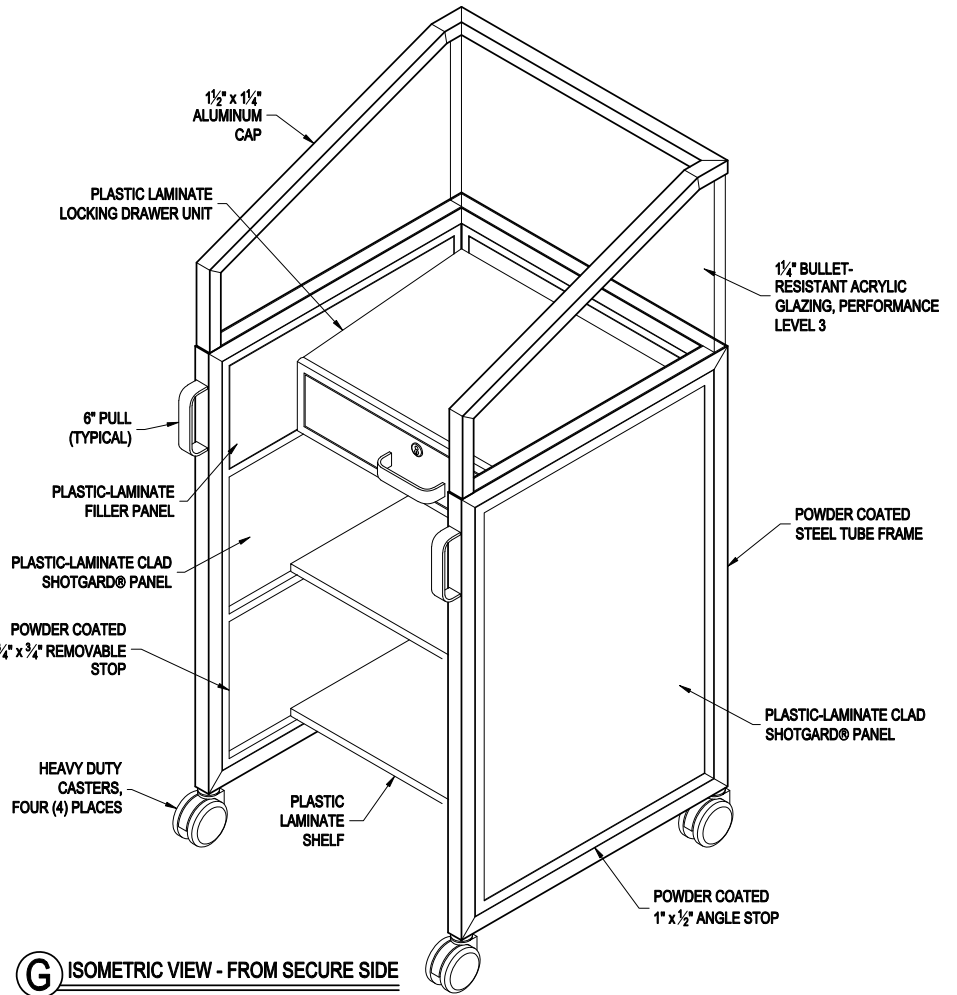
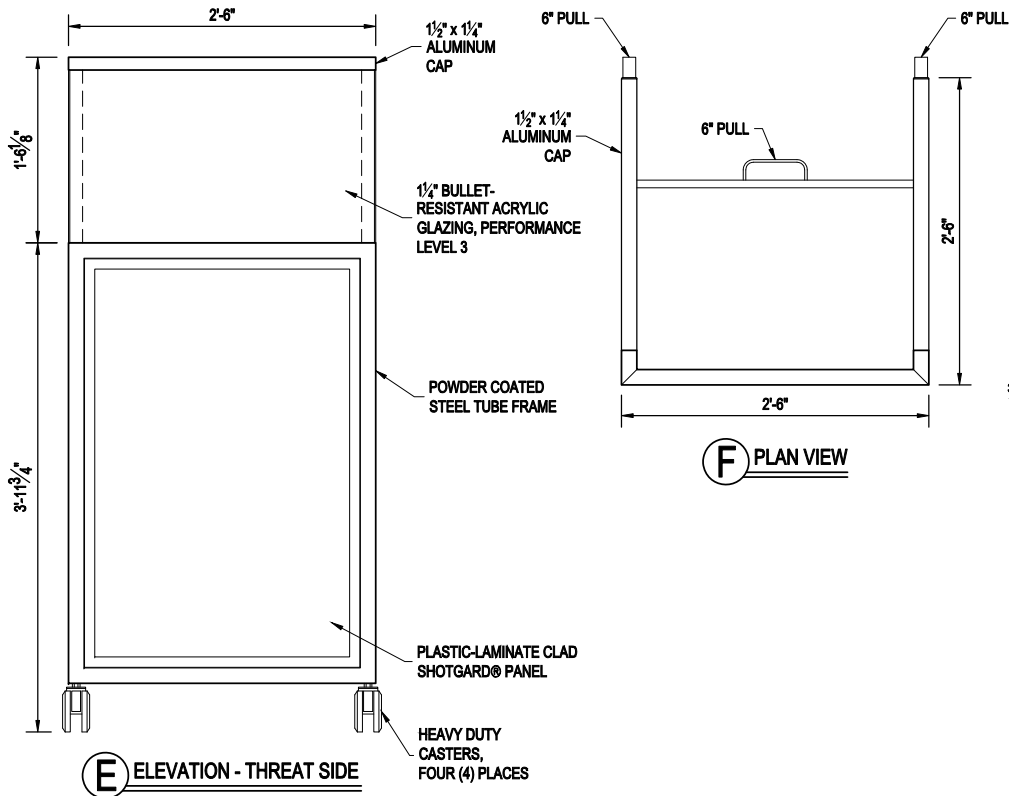
	SCALE:	DRAWN BY:	TOTAL UNITS:	DATE:	ALL RIGHTS RESERVED: THIS DRAWING IS THE PROPERTY OF NORTH AMERICAN BULLET PROOF AND SHALL NOT BE REPRODUCED IN WHOLE OR PART. IT SHALL NOT BE USED FOR CONSTRUCTION OF OTHER THAN THE SPECIFIED PROJECT WITHOUT WRITTEN PERMISSION OF NORTH AMERICAN BULLET PROOF.
	1" = 1'-0"	K.TATSCH			
	PRODUCT: MBP	P.O. NO.:	JOB NO.:		
PHONE (210) 225-0882	FAX (210) 225-0884	DWG NAME: PODIUM			

**NOTES:**

1. U.L. 752 UL LEVEL 3

2. PLASTIC LAMINATE COLOR SELECTION, STANDARD: WILSONART #7040A-80, FIGURED MAHOGANY

3. POWDER COAT COLOR SELECTION, STANDARD: RAL8048



**30" x 30" MOBILE BALLISTIC PODIUM**

	SCALE:	DRAWN BY:	TOTAL UNITS:	DATE:	ALL RIGHTS RESERVED: THIS DRAWING IS THE PROPERTY OF NORTH AMERICAN BULLET PROOF AND SHALL NOT BE REPRODUCED IN WHOLE OR PART. IT SHALL NOT BE USED FOR CONSTRUCTION OF OTHER THAN THE SPECIFIED PROJECT WITHOUT WRITTEN PERMISSION OF NORTH AMERICAN BULLET PROOF.
	1" = 1'-0"	K.TATSCH			
	PRODUCT: MBP		P.O. NO.:	JOB NO.:	
PHONE (210) 225-0882	FAX (210) 225-0884	DWG NAME: PODIUM			