

KEYNOTES:

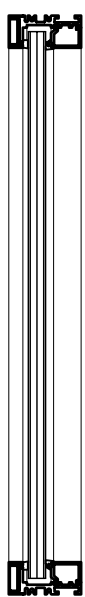
- 03-1 2" x 4-1/2" ALUMINUM BOLT-IN FRAME; CLEAR OR DARK BRONZE; UL LEVEL 1
- 03-4 AGS 178 ALUMINUM STOP; CLEAR OR DARK BRONZE
- 03-14 UL LEVEL 1 GLAZING
- 03-18 EXTERIOR PUSH-IN GASKET
- 03-19 INTERIOR DRIVE-IN WEDGE
- 01-3 TYPICAL WALL CONSTRUCTION (BY OTHERS)
- 01-4 ANCHOR, AS REQUIRED (BY OTHERS)

NORTH AMERICAN BULLET PROOF
 NABP
 P.O. BOX 628
 106 GUADALUPE DRIVE
 CIBOLO TX, 78108
 PHONE # (210) 225-0982
 FAX # (210) 225-0984
 WEBSITE: www.nabulleproof.com

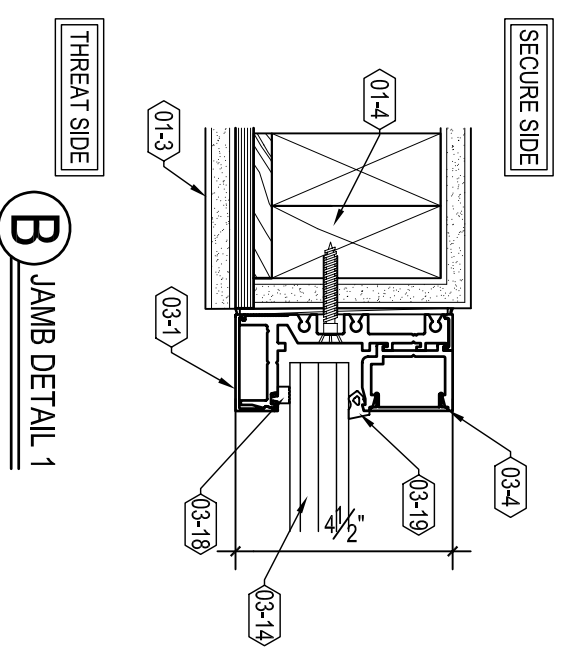
ALL RIGHTS RESERVED:

THIS DRAWING IS THE PROPERTY OF NORTH AMERICAN BULLET PROOF AND SHALL NOT BE REPRODUCED IN WHOLE OR PART. IT SHALL NOT BE USED FOR CONSTRUCTION OF OTHER THAN THE SPECIFIED PROJECT WITHOUT WRITTEN PERMISSION OF NORTH AMERICAN BULLET PROOF.

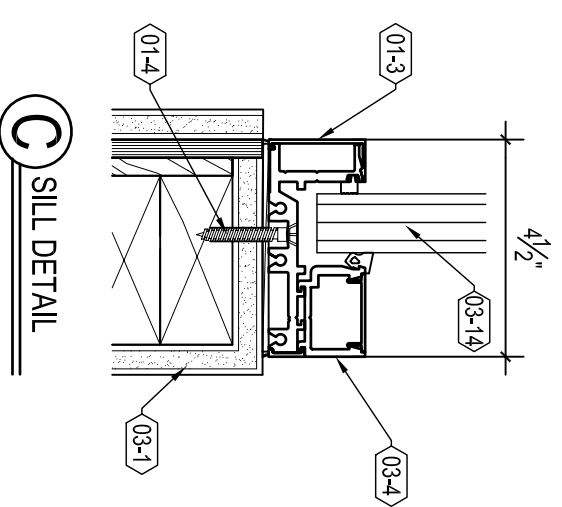
COMMENTS:



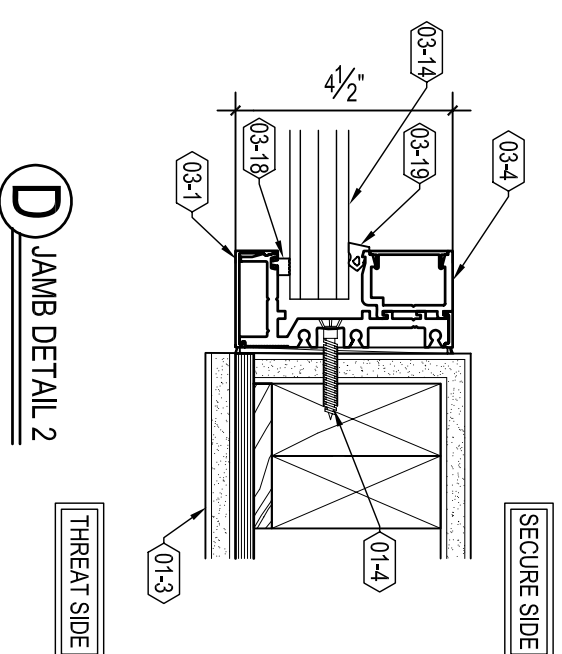
A ELEVATION/PLAN



B JAMB DETAIL 1



C SILL DETAIL



D JAMB DETAIL 2

EXVW1-A-BF