

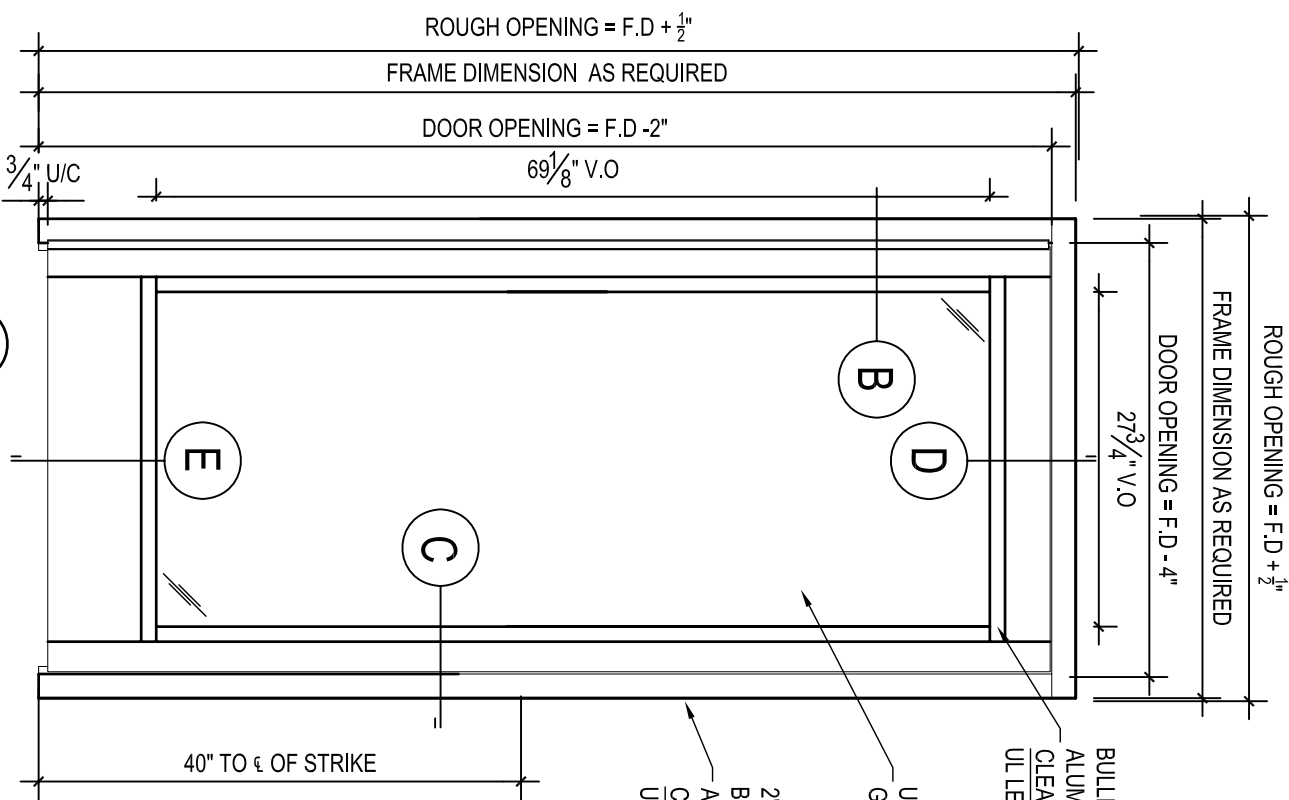
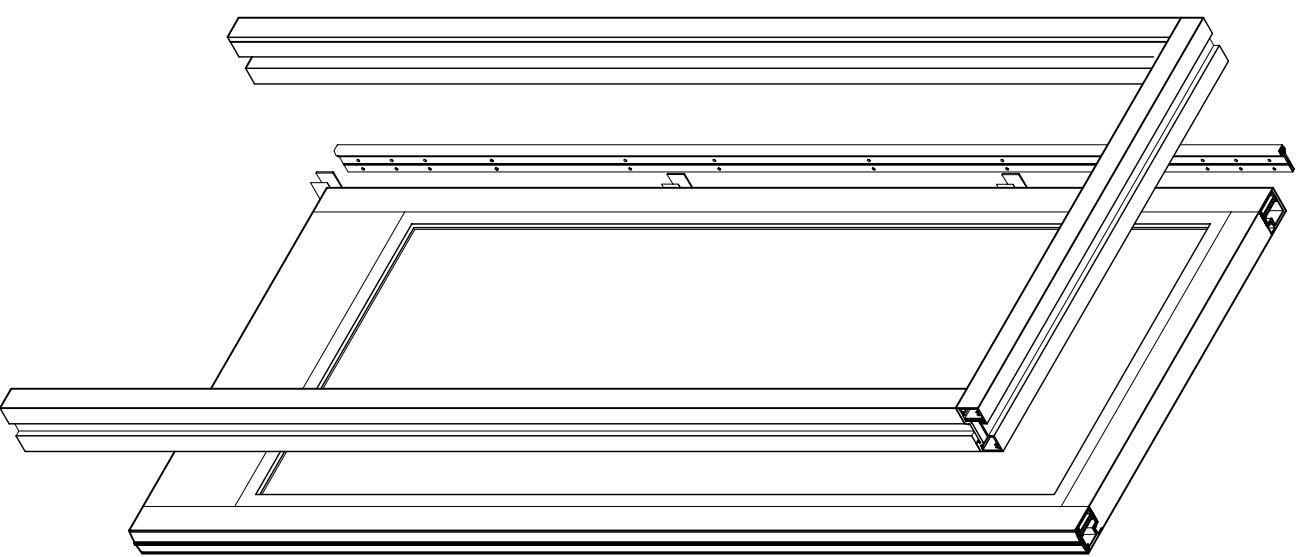
ALL RIGHTS RESERVED:

THIS DRAWING IS THE PROPERTY OF NORTH AMERICAN BULLET PROOF AND SHALL NOT BE REPRODUCED IN WHOLE OR PART. IT SHALL NOT BE USED FOR CONSTRUCTION OF OTHER THAN THE SPECIFIED PROJECT WITHOUT WRITTEN PERMISSION OF NORTH AMERICAN BULLET PROOF.

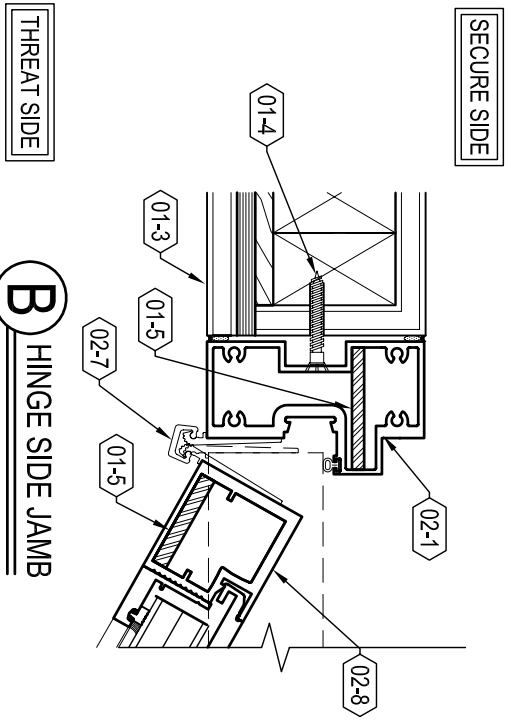
COMMENTS:

**KEYNOTES:**

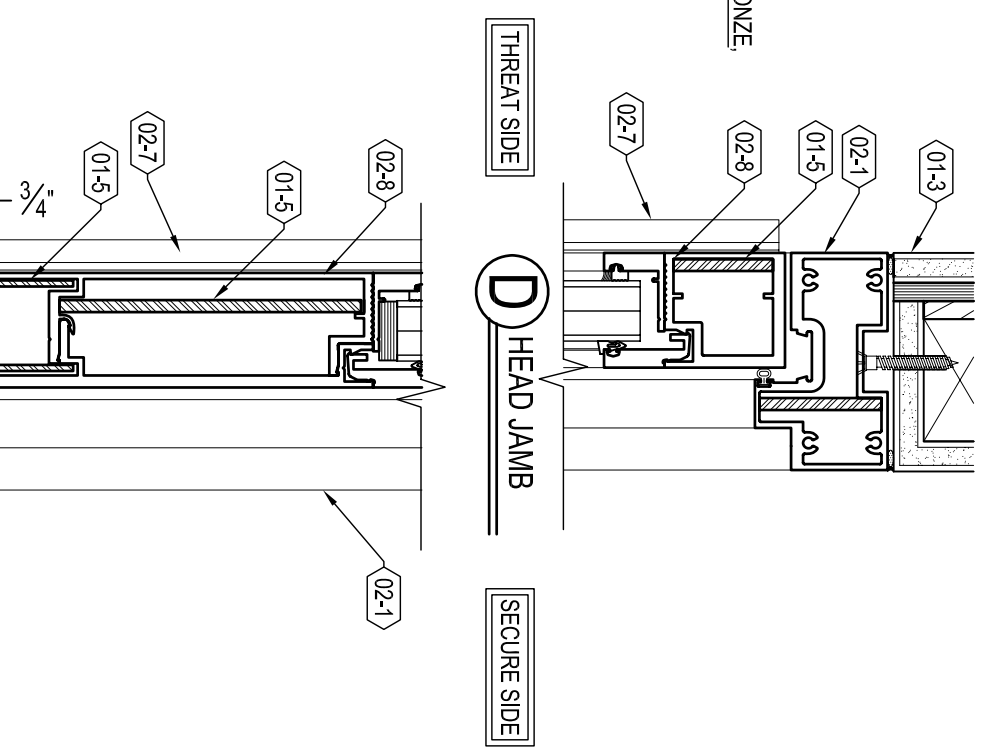
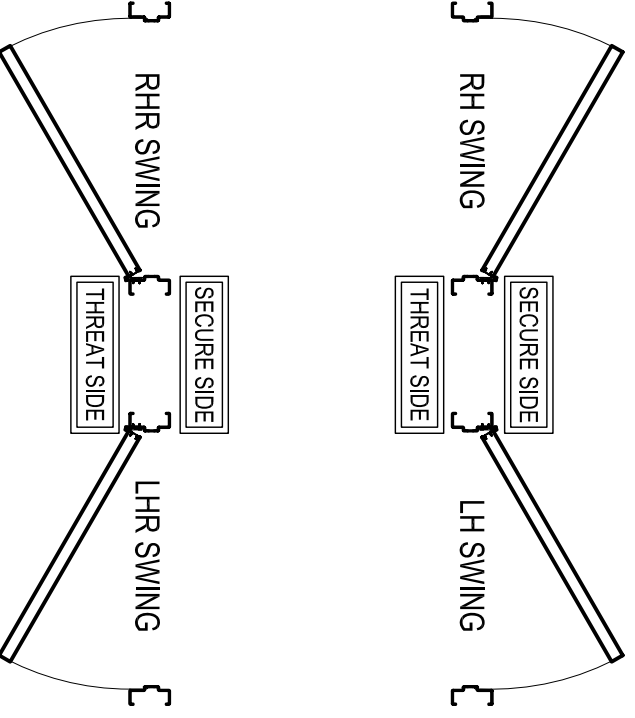
- ◊02-1 2" x 4-1/2" ALUM., BOLT-IN DOORFRAME: CLEAR OR DARK BRONZE; UL LEVEL 3
- ◊02-7 CONTINUOUS -GEAR HINGE WITH SECURITY PINS
- ◊02-8 ALUMINUM FULL VISION DOOR: UL LEVEL 3
- ◊01-3 TYPICAL WALL CONSTRUCTION (BY OTHERS)
- ◊01-4 ANCHOR, AS REQUIRED (BY OTHERS)
- ◊01-5 BULLET RESISTANT ARMOR, UL LEVEL 3 (WHERE REQUIRED)



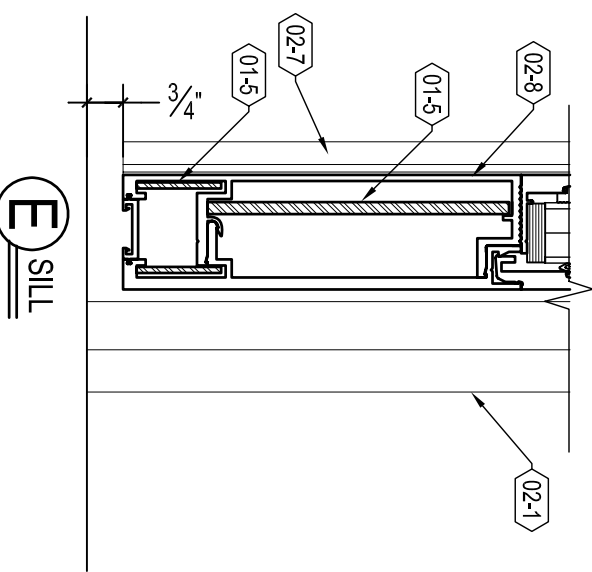
**A** ELEVATION/PLAN



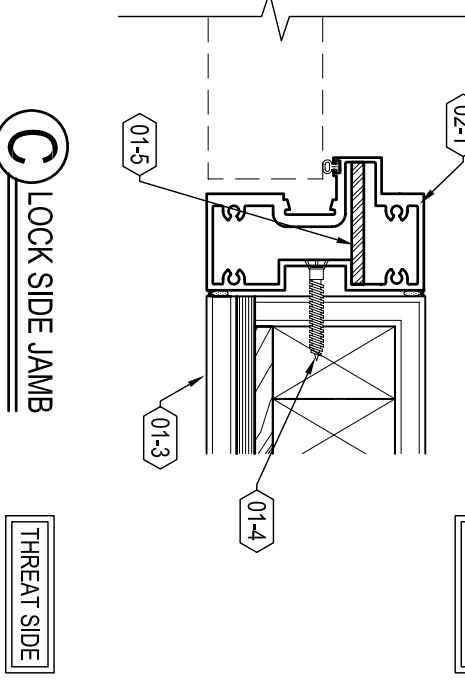
**B** HINGE SIDE JAMB



**D** HEAD JAMB



**E** SILL



**C** LOCK SIDE JAMB

ADR3-FV-BF