

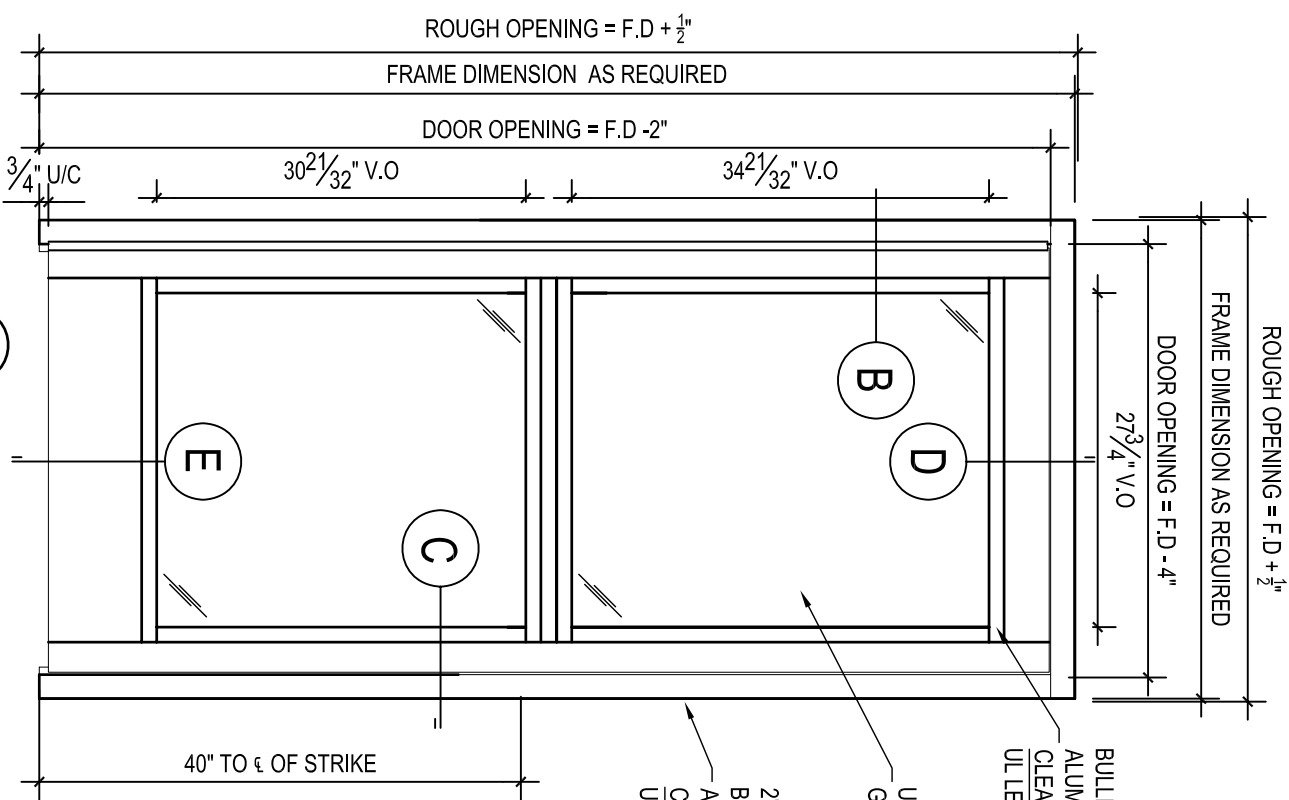
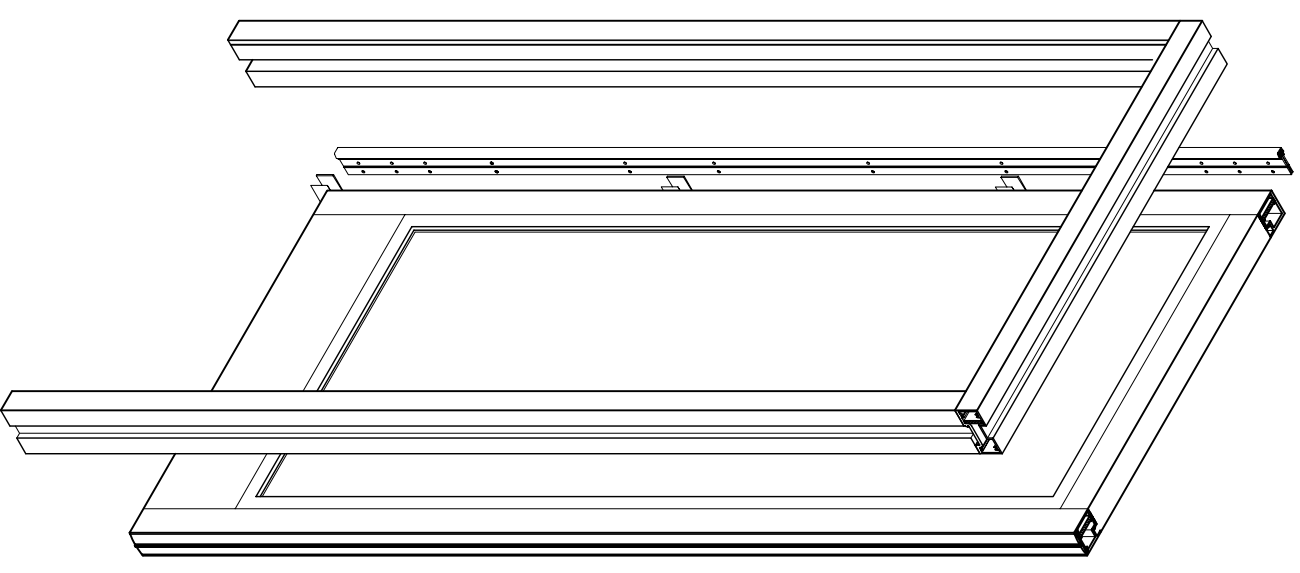
ALL RIGHTS RESERVED:

THIS DRAWING IS THE PROPERTY OF NORTH AMERICAN BULLET PROOF AND SHALL NOT BE REPRODUCED IN WHOLE OR PART. IT SHALL NOT BE USED FOR CONSTRUCTION OF OTHER THAN THE SPECIFIED PROJECT WITHOUT WRITTEN PERMISSION OF NORTH AMERICAN BULLET PROOF.

COMMENTS:

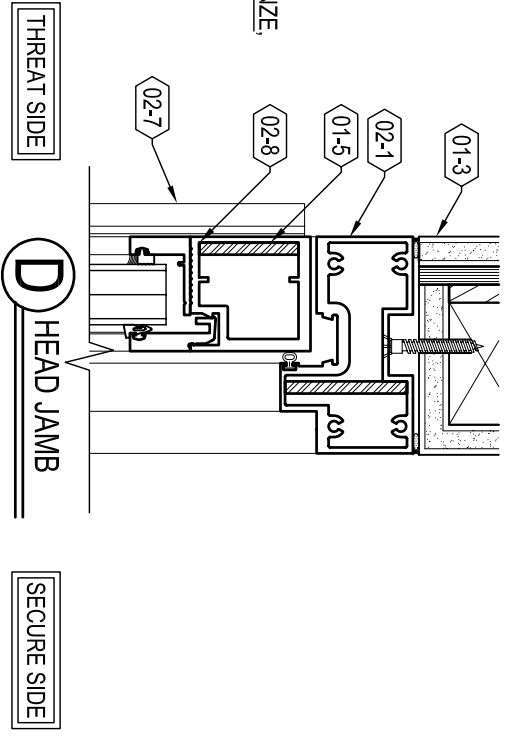
**KEYNOTES:**

- ◊02-1 2" x 4-1/2" ALUM., BOLT-IN DOORFRAME: CLEAR OR DARK BRONZE; UL LEVEL 1
- ◊02-7 CONTINUOUS -GEAR HINGE WITH SECURITY PINS
- ◊02-8 ALUMINUM DOUBLE VISION DOOR: UL LEVEL 1
- ◊01-3 TYPICAL WALL CONSTRUCTION (BY OTHERS)
- ◊01-4 ANCHOR, AS REQUIRED (BY OTHERS)
- ◊01-5 BULLET RESISTANT ARMOR, UL LEVEL 1 (WHERE REQUIRED)



**A** ELEVATION/PLAN

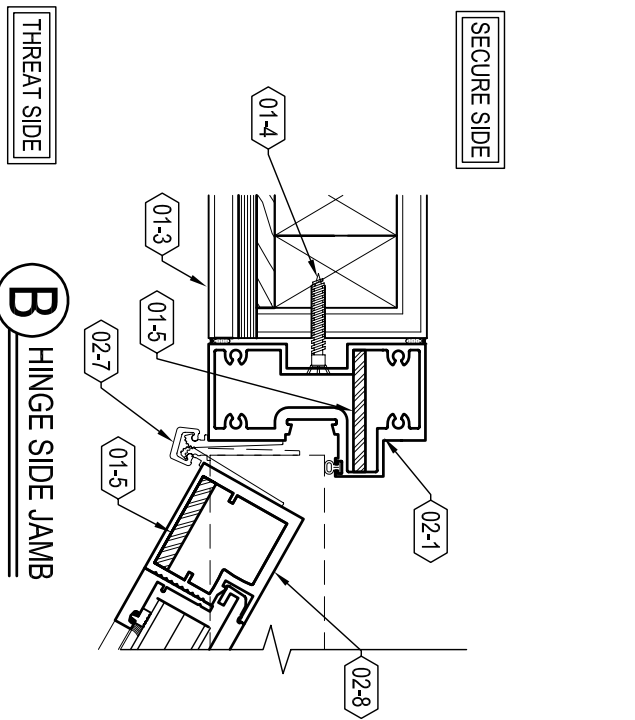
ROUGH OPENING = F.D. + 1/2"  
FRAME DIMENSION AS REQUIRED  
DOOR OPENING = F.D. - 4"  
27 3/4" V.O.  
BULLET-RESISTANT ALUMINUM DOOR, CLEAR OR DARK BRONZE  
UL LEVEL 1  
UL LEVEL 1  
GLAZING  
2" x 4 1/2" BOLT-IN, BULLET-RESISTANT ALUMINUM FRAME CLEAR OR DARK BRONZE, UL LEVEL 1  
40" TO ̵ OF STRIKE



**D** HEAD JAMB

THREAT SIDE

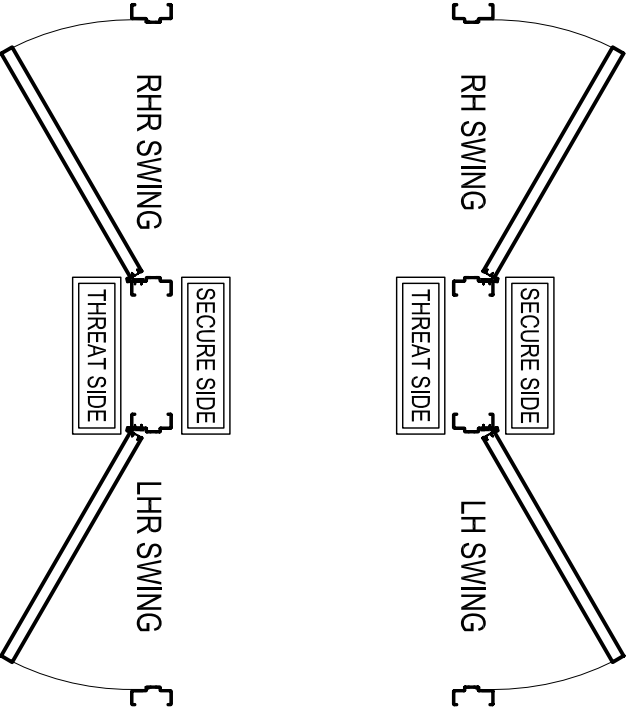
SECURE SIDE



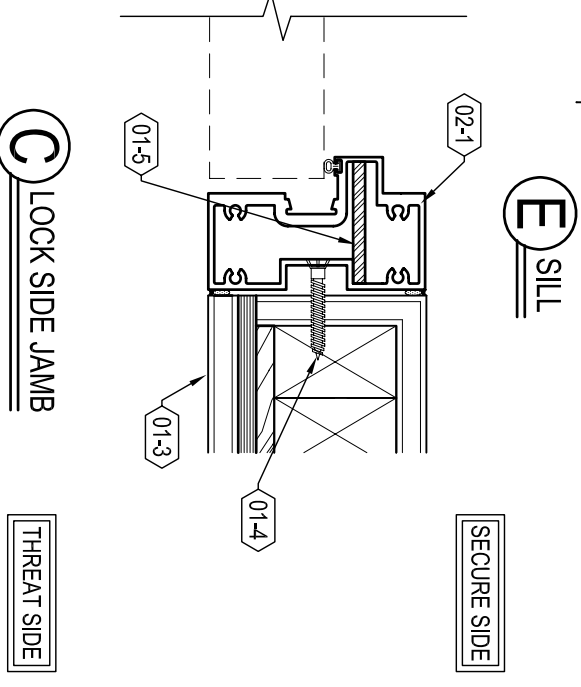
**B** HINGE SIDE JAMB

THREAT SIDE

SECURE SIDE



RH SWING  
RHR SWING  
LH SWING  
LHR SWING  
SECURE SIDE  
THREAT SIDE  
SECURE SIDE  
THREAT SIDE



**C** LOCK SIDE JAMB

THREAT SIDE

SECURE SIDE

ADR1-DV-BF